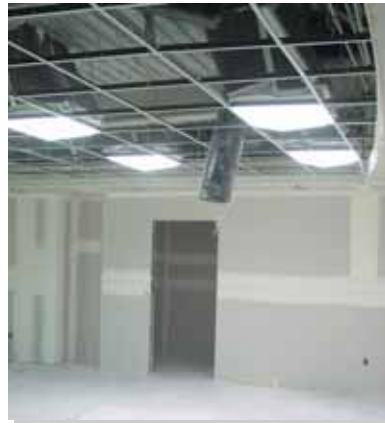


Advanced Natural Lighting Systems

High\Low Bay Systems Designed to Integrate Into Existing or New Sky-Lighting Systems
(2'x2', 2'x4', 4'x4', and 4'x8' Suspended or T-Bar Systems)



Run Energy Free During Daylight Hours for Max Savings



Versatile Systems Allow Easy Drop Down Installations



Hybrid Lighting
Integrating Sustainable Solutions

Features

The SkyLume series natural lighting fixture has proven to eliminate up to 90% of electrical lighting needs during daylight hours saving significant money on electrical energy cost. The SkyLume fixtures deliver highest level of quality lighting within your environment. Taking advantage of an unlimited energy source the "Sun" SkyLume delivers a RETURN ON INVESTMENT that is unbeatable.

When matched with SkyLume Electrical Fixtures and Skytrol Control System these components deliver true energy efficient HYBRID LIGHTING. The system is matched and designed to operate and install with true simplicity at a practical cost. This system delivers paybacks that turn traditional capital expenditures into true investments that yield the highest return on your dollar.

FEATURES OF THE HYBRID SYSTEM INCLUDE

- **Easy drop down SkyLite systems ensure simple leak proof installations.**
- **Life time Warranty**
- **Indirect\Direct Lighting**
- **Unbeatable radiation barrier can produce up to R-48 of insulation.**
- **Daylight harvesting that can be predicted and maintained over time without degradation of light.**

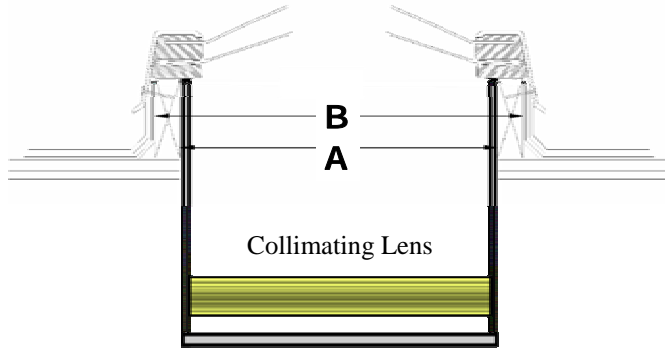
Adaptive Energy Systems, Inc.

1516 N. Fairfax Ave. ♦ Los Angeles, CA 90046 ♦ Tel: 323.874.7794 ♦ Fax: 323.417.4834

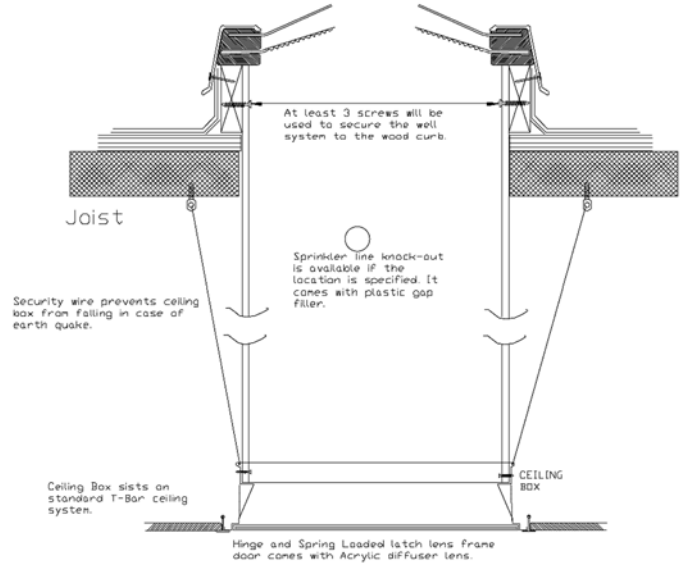
Website: 1800AES.com

specifications

Suspended Skylight System



Recessed Skylight System



Model Size	A Inside Curb Dimensions		B Outside Curb Dimension	
	2828	22¼	22¼	25¼
2852	22¼	46¼	25¼	49¼
5252	46¼	46¼	49¼	49¼
5296	46¼	90¼	49¼	93¼
5298	46½	90¼	49½	95¼
52100	46¼	94¼	49¼	97¼
54102	48	96¼	51	99

Performance Details

Warranty

LIFE TIME WARRANTY

ICBO

ER-4063

LSG / SHGC / TVIS

3.67 / .24 / .83

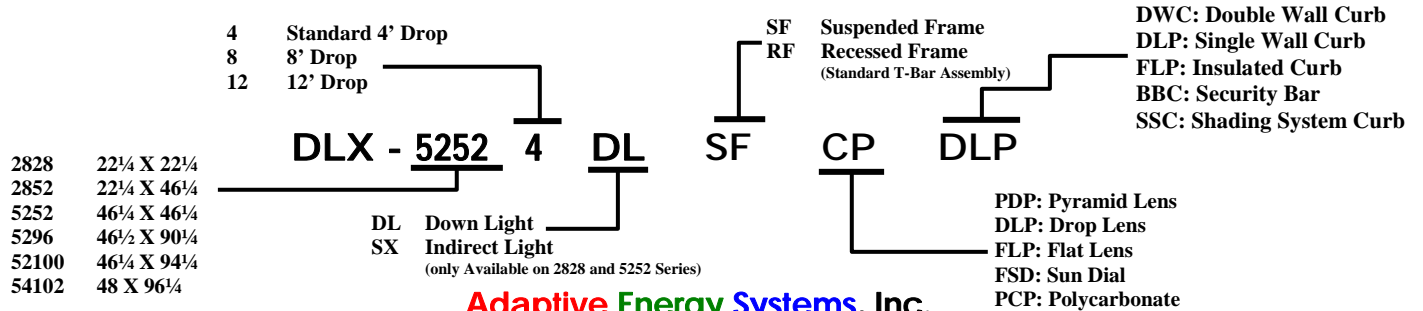
CRI/DIFFUSION

100 CRI / NATURAL POLARIZED

SIDE EXTRACTION

WIDE ANGLE / INDIRECT

	Suspended	Recessed
Top Dome	<ul style="list-style-type: none"> Cast Acrylic Outer dome, Cast Acrylic Collimating Inner lens. Complete Seal with counter flashing skirt Aluminum Curb Frame 6063 T-5 6D Common Nails corrosion resistant, at pre-punched holes at 12" on centers. 	
Panel Assembly	<ul style="list-style-type: none"> 4' Sectional Panels vinyl encapsulated substrates with internal reflective system corrosion and delaminating free for the life of the system. Aluminum Channel provides rigid Panel Support. Lightweight design allows up to 12' drops. Panels available in a variety of colors Panels are CC2 fire rated 	
Lens Assembly	<ul style="list-style-type: none"> Light Extraction panels available in 2828 and 5252 models. Provide Indirect Lighting to improve min to max ratios A variety of bottom lenses available provide desired light spread in the work environment. 	<ul style="list-style-type: none"> Ceiling Box sits on Standard T-Bar ceiling systems. Hinge and spring loaded latch lens frame door comes with acrylic diffuser lenses



Adaptive Energy Systems, Inc.

1516 N. Fairfax Ave. ♦ Los Angeles, CA 90046 ♦ Tel: 323.874.7794 ♦ Fax: 323.417.4834

Website: 1800AES.com

Rev: 2005DLX03080001